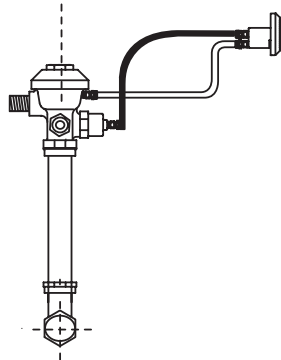
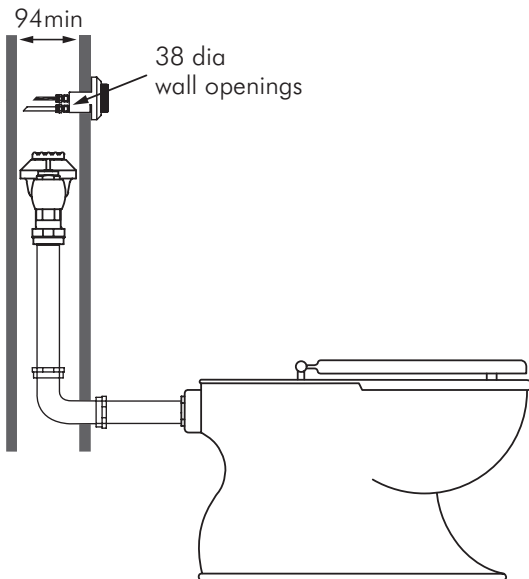


ZH-6152L RETROFIT TOILET FLUSH VALVES



Single Flush 6L (adjustable)
Recess Mounted
Suitable for replacing;
Belva & Stuart Valves

DESCRIPTION

Zurn ZH-6152L-BV/BD/ST flush valves are hydraulically actuated WC flushing valves suitable for buildings with a dedicated non potable supply, serving existing Belva or Stuart flushing valves. The standard valves are pre-set to deliver a 6L single flush but can be retrospectively fitted with flow rings giving 9 or 12L flushing if the pan demands higher flush volumes. Valves are machined to allow a direct replacement of existing valves without the need to replace water inlet connection and flush pipes. The through wall button mounting hole(s) need to be drilled to suit the Zurn valve.

NOTE: Zurn valves are supplied with flow rings that offer optional flush volumes, however they do not regulate flow rate or pressure. Some adjustment of pressure/flow rate through pressure reducing valves and/or isolators may be necessary to stabilise water flows.

SPECIFICATION

Suitable for non-potable connection to 6 litre back entry pans

Minimum Pressure: 40kPa single flush

Maximum Pressure: 150kPa

Flow Rate: 90L/min

Inlet Connection: 32 (Belva) or 40mm (Stuart) BSP

Flush Volume: 6L (adjustable) or 3/6L

MODELS

ZH-6152L-BV - Standard Belva valve replacement
1" metal button.

ZH-6152L-BD - Belva Deluxe valve replacement
1" metal button.

ZH-6152L-ST - Standard Stuart valve replacement
1" metal button.



**MACDONALD
INDUSTRIES LIMITED**

Auckland (Head Office)

20 Carr Rd, Three Kings

Auckland 1041

P: 09 624 1115

F: 09 624 1110

E: sales@macdonaldindustries.co.nz

Wellington

P: 04 569 8033

F: 04 569 8066

Christchurch

P: 03 348 2356

F: 03 348 2376

www.macdonaldindustries.co.nz