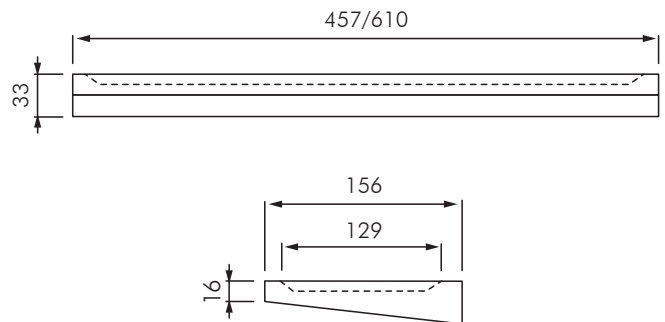


AS0690 STAINLESS STEEL SHELF WITH RAISED EDGES



DESCRIPTION

The ASI 0690 is a stainless steel shelf formed from one piece of 18 gauge stainless steel, satin finish. Available in two lengths (457mm and 610mm) and has a depth of 156mm.

Sides of shelf shall be closed and tapered from front to rear. All edges are de-burred. Rear of shelf has a turned down leg with mounting holes. Shelf has a 10mm depression in top surface inside perimeter rim.

INSTALLATION

Unit is surface mounted on a wall or partition using No 10 self tapping screws (by others) through 3 holes provided in shelf back.

MODELS

AS0690-18 - ASI stainless steel shelf 457mm
AS0690-24 - ASI stainless steel shelf 610mm

Auckland (Head Office)

20 Carr Rd, Three Kings
Auckland 1042
P: 09 624 1115
F: 09 624 1110
E: sales@macdonaldindustries.co.nz

Wellington

P: 04 569 8033
F: 04 569 8066

Christchurch

P: 03 348 2356
F: 03 348 2376