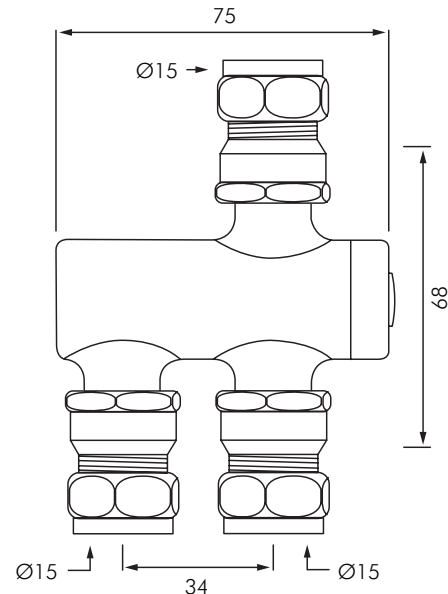


DE732116

PREMIX 'NANO' THERMOSTATIC MIXING VALVE

DELABIE



DESCRIPTION

The Delabie 'Nano' thermostatic mixing valve is for control of mixed water distribution for 1 to 2 taps or 1 shower.

Temperature pre-set at 38°C, adjustable from 34 - 60°C. Anti-scalding safety between 34 - 42°C and automatic shut-off if cold or hot water supply fails. Minimum operating flow rate is 3L/min.

Supplied with integrated non-return valves and filters. Thermal shocks are possible without removing the valve.

FUNCTION AND APPLICATIONS

- Premix Nano is a thermostatic mixing valve which ensures mixed water distribution at a constant selected temperature (regardless of variations in the installation's operating pressure, flow rate or supply temperature).
- Use: upstream of all mixers, taps or valves requiring mixed water (washbasin, shower, bath, in commercial or domestic applications).

PRODUCT ADVANTAGES

- Stable temperatures ensure optimum comfort, corrects any temperature variation for the user.
- Automatic anti-scalding fail-safe ensures instant hot water shut-off if the cold water supply fails. Maximum temperature can be adjusted by the installer (NOTE - 42°C is the highest this valve should be set for the fail-safe to work).
- Anti-Legionella solution that is both preventative and permanent. While maintaining the hot water temperature above 55°C throughout the network, the thermostatic regulators (or mixers) must be installed as close as possible to the point-of-use.
- 10 year warranty

MODELS

DE732116 - Standard model as shown.

Auckland (Head Office)

20 Carr Rd, Three Kings
Auckland 1042
09 624 1115
sales@macdonaldindustries.co.nz
macdonaldindustries.co.nz

Christchurch

32B Hayton Road
Wigram, Christchurch
03 348 2356
christchurch@macdonaldindustries.co.nz

Wellington

04 569 8033