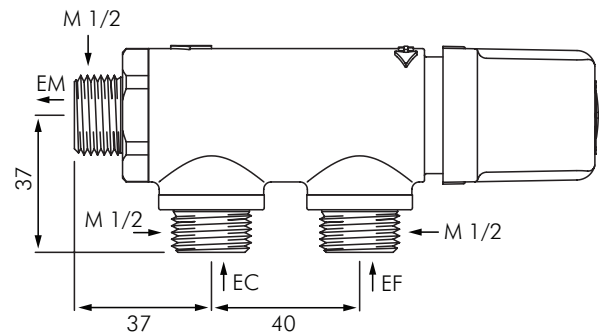


DE733015 & DE733020 PREMIX COMPACT THERMOSTATIC MIXING VALVE

DELABIE



DESCRIPTION

Delabie Premix Compact are Point of Discharge mixers designed to provide a safe working temperature for taps.

Premix Compact is installed beneath the basin, sink, trough or bench and can serve up to 2-10 taps/valves with 30 - 60 deg C water (adjustable) which can be locked by the installer.

OPERATIONS AND APPLICATIONS

- Automatic shut off in case of cold water failure.
- Built in check valves.
- Regulates water temperature to provide comfortably warm water without wastage.

PRODUCT ADVANTAGES

- Lockable set point.
- Stable to within 1.5 deg C of set point.
- Saves water as no wait for stable water temperature.

MODELS

DE733015 - 1/2" (19L/min) based on 100kPa pressure loss.

DE733020 - 3/4" (23L/min) based on 100kPa pressure loss.