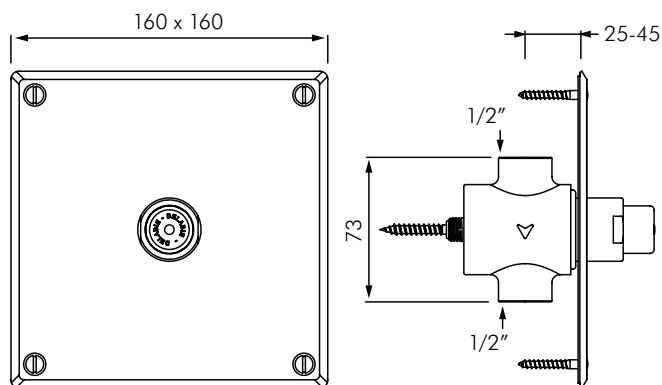


DE779427

TEMPOSTOP

TIME FLOW URINAL VALVE

DELABIE



DESCRIPTION

DELABIE DE779427 is a recessed mounted time flow urinal valve. Time flow is ~7 seconds. Flow rate is pre-set at 0.25L/second at 300kPa, can be adjusted. Operating pressure is 100-500kPa, 300kPa is recommended. Bright polished stainless steel wall plate 160x160mm with solid brass body. Recessing depth can be adjusted between 25-40mm. F1/2" water connections for water supply.

Suitable for use on all our back inlet wall hung urinals.

INSTALLATION

- Recessed mounted behind 160x160mm square stainless steel cover plate.
- F1/2" BSP water supply connections.
- Recessed depth can be adjusted from 25 to 45mm.
- Pre-set to 0.25L/flush complying with a 3 star WELS rating.
- Flow is adjustable on installation.
- Operating pressure 100-500kPa, we recommend 300kPa.

MODELS

DE779427 - Standard model as shown - 3 star WELS rating.

