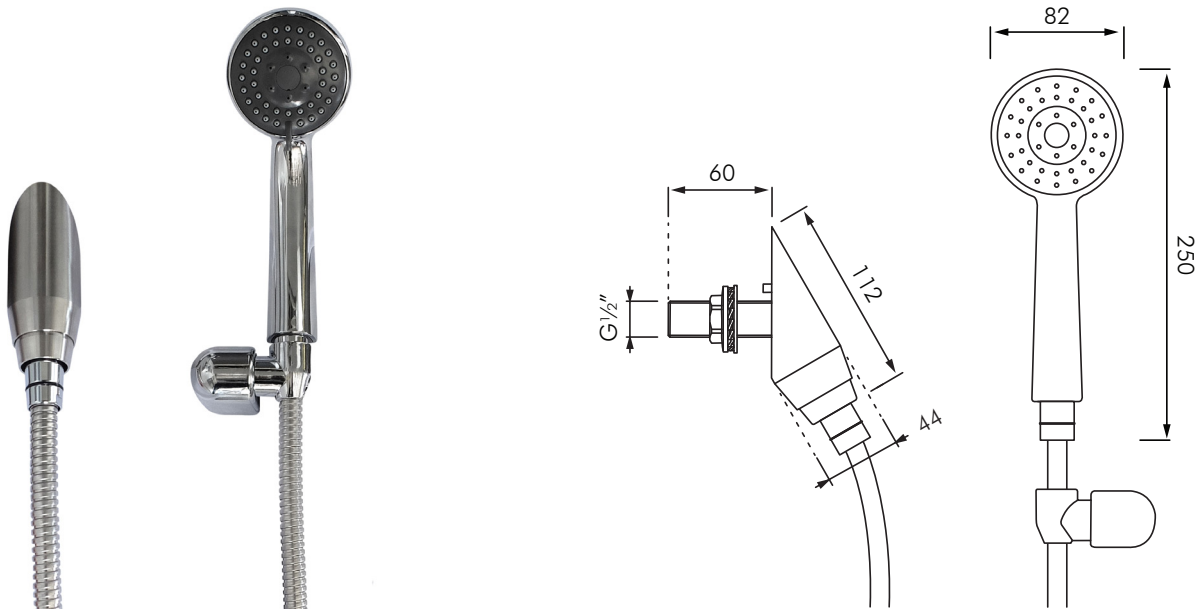


DV-SH07-084

HIGH SECURITY DETACHABLE SHOWER HOSE AND HANDSET

FRANKE



DESCRIPTION

The DV-SH07-084 high security detachable hose and handset is intended for installations where everything except the showerhead and sensor are concealed behind a wall or panel. The quick release mechanism allows for ease of connection and disconnection of hose and handset.

This product can be utilised on its own or as part of a shower pairing with other MacDonal fixed shower heads. Shower hose and handset can be used in conjunction with any MacDonal controllers including Warden electronic, MacDonal Security, or Delabie time delay products (refer separate literature).

Brushed finish 316 stainless steel, for wall mounting M1/2" BSP thread, supplied with an anti-rotation pin.

Ideal for use in applications requiring a high degree of vandalism protection including prisons and mental health facilities, and require a water consumption minimisation.

INSTALLATION

- Wall mounted detachable 1500mm shower hose and handset.
- M1/2" water supply connection.
- Minimum water pressure 100kPa.

MODELS

DV-SH07-084 - Franke high security detachable shower hose and handset

ACCESSORIES

DE6400/1 - Backing disc for shower roses, bubblers and DVS

Auckland (Head Office)

20 Carr Rd, Three Kings
Auckland 1042
09 624 1115
sales@macdonalindustries.co.nz
macdonalindustries.co.nz

Christchurch

32B Hayton Road
Wigram, Christchurch
03 348 2356
christchurch@macdonalindustries.co.nz

Wellington

04 569 8033