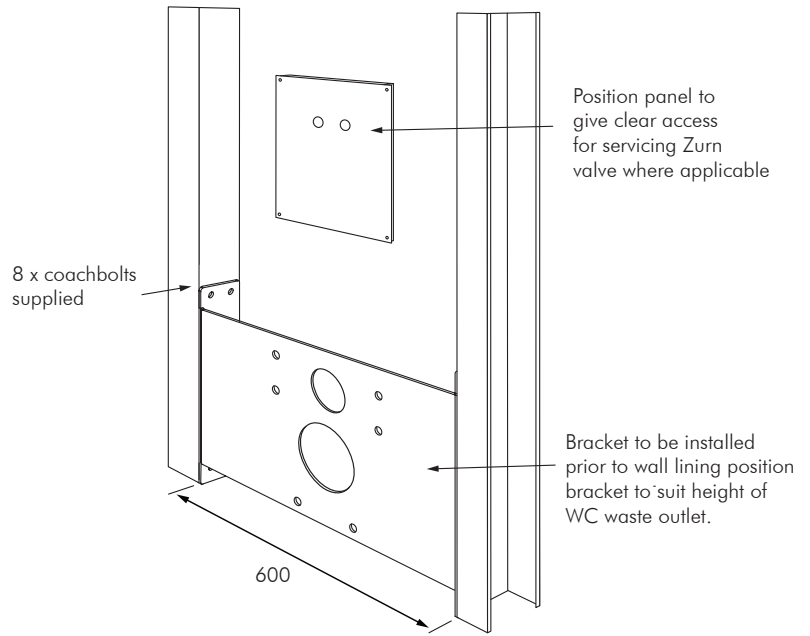
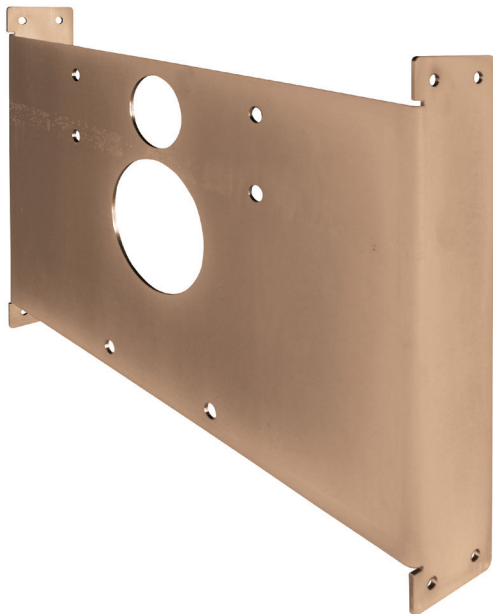


DV-VR01-UWB INWALL FIXING BRACKET FOR WC'S



DESCRIPTION

The DV-VR01-UWB is a heavy duty inwall mounted bracket designed to securely fix the DV-VR01-010 or DV-VR01-011 security WC's where there is no direct duct space behind the WC to allow for conventional through wall mounting.

The frame is fixed to wall framing using the coach screws supplied prior to wall lining. All water and waste connections have suitable penetrations through the bracket.

Final connections should be completed once wall lining is finished, therefore it is imperative that a suitable access panel be installed above the toilet. We recommend ZA-HD-SP 345 x 450 stainless steel access panels be installed. Variations on ZA panels allow for mounting Zurn valve push buttons or Piezo switches for use with Warden electronics. Refer to separate literature to ensure correct access panel is specified.

INSTALLATION

Inwall frame fixed to wall framing prior to wall lining using coach bolts supplied. Mounting height to suit WC.

Double stud walls to ensure correct support.

MODELS

DV-VR01-UWB - Inwall Fixing Bracket



**MACDONALD
INDUSTRIES LIMITED**

Auckland (Head Office)

20 Carr Rd, Three Kings

Auckland 1041

P: 09 624 1115

F: 09 624 1110

E: sales@macdonaldindustries.co.nz

Wellington

P: 04 569 8033

F: 04 569 8066

Christchurch

P: 03 348 2356

F: 03 348 2376

www.macdonaldindustries.co.nz