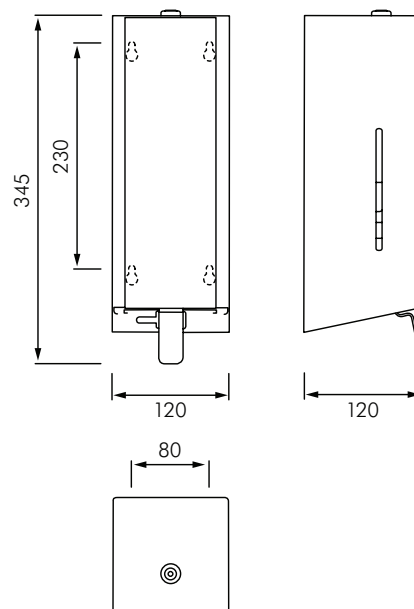


FR-EXOS618 EXOS SOAP DISPENSER



DESCRIPTION

Franke EXOS618 soap dispenser is for wall mounting. Depending on the interior design and the colour scheme, this model is available in three new front panel options; stainless steel with satin finish, white safety glass, and black safety glass. The casing has Franke InoxPlus surface refinement for the reduction of finger marks and better cleaning characteristics (easy to clean). Material thickness is 1.2 mm, inspection window on side, suitable for liquid soap and lotions, 800 ml refill tank, with stainless steel push lever, easy to refill with soap tank on front panel, includes mounting materials. Dimensions: 120 x 326 x 120 mm (W x H x D).

MODELS

- FR-EXOS618X** - Franke EXOS soap dispenser with satin stainless steel front panel.
- FR-EXOS618W** - Franke EXOS soap dispenser with white glass front panel.
- FR-EXOS618B** - Franke EXOS soap dispenser with black glass front panel.

Auckland (Head Office)

20 Carr Rd, Three Kings
Auckland 1042
09 624 1115
sales@macdonaldindustries.co.nz
macdonaldindustries.co.nz

Christchurch

32B Hayton Road
Wigram, Christchurch
03 348 2356
christchurch@macdonaldindustries.co.nz

Wellington

04 569 8033