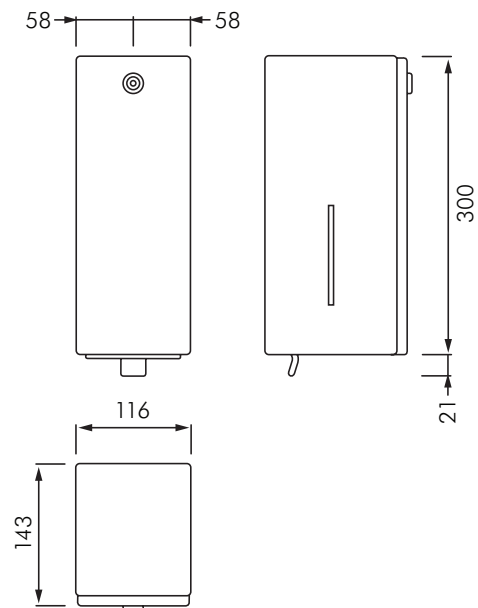


FR-RODX618

RODAN SURFACE MOUNTED VERTICAL LIQUID SOAP DISPENSER



DESCRIPTION

RODAN FR-RODX618 wall mounted soap dispenser is fabricated in 0.8mm satin finish stainless steel with an impact resistant plastic pull paddle/dispenser. A 0.8L capacity soap tank is accessible using the Franke keyed alike cylinder lock.

INSTALLATION

Wall mounted in wall using 2 x self tapping flat head screws (supplied) through mounting holes provided.

SOAP

Soap type and viscosity is vital to the correct operation of any liquid soap dispenser. Soap must be vegetable based and recommended viscosity is 4500 - 8000 poise. Hand cleaners often have grit as a component to aid hand cleaning and should therefore not be used with this dispenser. Suggested type - Easy Products Ltd - Liquid Soap.

MODELS

FR-RODX618 - Wall mounted model.

FR-RODX618E - Recessed mounted model.



**MACDONALD
INDUSTRIES LIMITED**

Auckland (Head Office)

20 Carr Rd, Three Kings
Auckland 1042
09 624 1115
sales@macdonaldindustries.co.nz
macdonaldindustries.co.nz

Christchurch

32B Hayton Road
Wigram, Christchurch
03 348 2356
christchurch@macdonaldindustries.co.nz

Wellington

04 569 8033