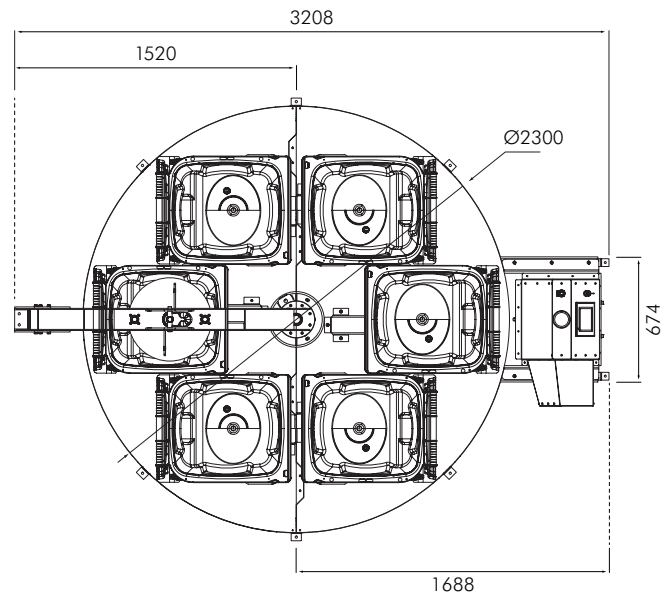
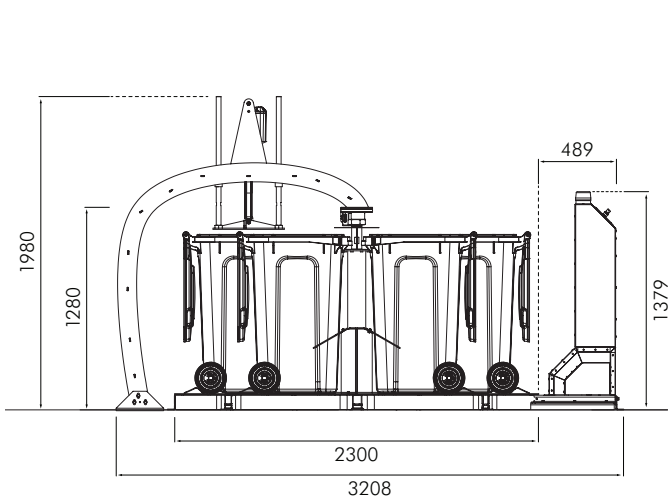


ROTOBIN BIN CAROUSEL AND COMPACTOR - SUITS 240 & 360L WHEELIE BINS



DESCRIPTION

Rotobin is a cost effective, fully automated unit specifically designed for the collection & compaction of rubbish within high density residential applications. Working on a rotation basis, as each bin fills, the compactor base automatically rotates positioning an empty bin under the chute when required. Designed to fit directly under a garbage chute or loading dock. Offers a compaction ratio of up to 2:1 into the listed bin types for removal by hand to the collection area. Works perfectly in conjunction with the MacDonald Chute System. Suits plastic mobile garbage bin sizes from 240L up to 1100L.

Electrical connection by cord and plug (as supplied). Can also be direct wired by an electrician. (GPO fitted on roof above control pod position ideal). Unit should be installed by qualified Macdonald Industries technicians. Unit is fixed to the floor with dyna bolts.

SPECIFICATION

- Electrical: AC, 230-240V, 50/60Hz, 10A
- Rotation Motor: Geared 50:1 240V 50Hz 1600w (1430 RPM Adjustable)
- Compaction Actuator: 24volt dc 10A (max. 6200 nm Adjustable)
- Strobe light – 24 volt dc (active before and during rotation)
- Control and notifications via touchscreen
- Manual and Auto modes available
- Electric Safety Requirement: AS/NZS 60335.2.23:2012
- Gross weight: approx. 900-1200kg
- FINISH Plated zinc mild steel of various sizes and grades. Floor plate made from 6mm plated checker plate. Control pod is powder coated aluminium.

MODELS

- MC-ROTO-240 - Standard model to fit 240L bins
- MC-ROTO-360 - Standard model to fit 360L bins



Auckland (Head Office)

20 Carr Rd, Three Kings
 Auckland 1042
 09 624 1115
sales@macdonaldindustries.co.nz
macdonaldindustries.co.nz

Christchurch

32B Hayton Road
 Wigram, Christchurch
 03 348 2356
christchurch@macdonaldindustries.co.nz

Wellington

04 569 8033