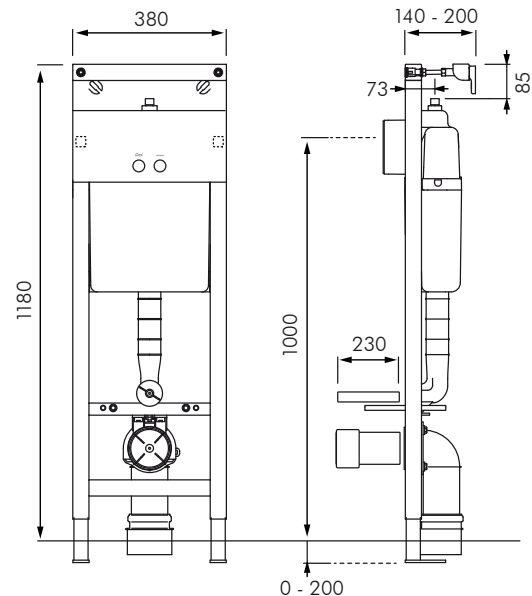


WS2701-VP XS FRAMED INWALL CISTERN



DESCRIPTION

The Wisa XS Framed Inwall Cistern is a pre-assembled cistern with structural support frame for use with all wall hung toilet pans. The -VP variant of this cistern is modified to use the MacDonald -VP button set and heavy stainless steel access plate making it more suitable for public bathroom installations. The cistern has the following features;

- Pre-assembled cistern with structural support frame suitable for use with all wall hung WC's
- 3/6L dual flush achieving a WELS 3 star rating with compatible WC's
- Height adjustable frame to allow for variations in finished floor height (overlay floors, tiles, etc) or for accessible WC mounting height
- Heavy duty 2mm face plate with vandal resistant button set. Available as flush mounted buttons or with raised buttons for disabled use
- Includes noise insulation kit behind WC
- Quiet hydraulic float valve
- Quality European made product
- Access through front panel assembly for all repairs.

INSTALLATION

The Wisa XS Framed Inwall Cistern is designed to fit into a 200mm framed wall cavity directly behind the WC.

It is suitable for use with any wall hung WC standard length or disabled provided the wall structure is framed to securely support the product. To do so the cistern frame must be secured to the floor via the floor fixing plates using proprietary dynabolts or coach screws, fixed to the wall framing at the back and sides of the frame as appropriate. The frame has been load tested to support up to 400kgs.

The height of the frame is adjusted to suit the WC that is to be fitted - standard or disabled.

Once wall linings are completed the push panel is screw fixed to support frame with security screws provided

MODELS

WS2701-VP - Wisa XS Framed Inwall Cistern with standard push buttons

WS2701-VP-ACC - As above but with raised button set

Auckland (Head Office)

20 Carr Rd, Three Kings
Auckland 1042
09 624 1115
sales@macdonaldindustries.co.nz
macdonaldindustries.co.nz

Christchurch

32B Hayton Road
Wigram, Christchurch
03 348 2356
christchurch@macdonaldindustries.co.nz

Wellington

04 569 8033